

Designer B Vent Fireplace Systems



624BVST See-Thru, 624BVPF Peninsula, 624BVC(L)(R) Corner and 624BVBY Bay Front B Vent Fireplace Systems

- Hidden interior controls allow facing material to be installed right up to the edge of the firebox for a beautiful masonry fireplace look
- Realistic gas logs feature split log design, lava rock ash beds, and pan burner (42,000 Btu) for authentic flame pattern
- Separate Piezo Ignitor for your convenience
- Uses standard 6" B vent pipe
- Natural gas standing pilot or electronic is standard and can easily be field converted to LP gas
- Remote wall switch standard
- OMNI-Test Laboratories, Inc. design certified

*Heat with
Personality.*

MONESSEN
HEARTH SYSTEMS

OPTIONAL ACCESSORIES & SPECIFICATIONS

Product Specifications										
Model	Width		Height		Depth		BTU/H NAT and LP	Opening Dimension (W x H x D)	Radiant or Circulating	Design Certified
	Actual	Framing	Actual	Framing	Actual	Framing				
624BVST	38"	39"	42-3/8"	42-1/2"	24-1/8"	23 1/8"	42,000	36" x 22-1/4" x 22-1/8"	Radiant	OMNI
624BVPF	38"	38-1/2"	42-3/8"	42-1/2"	24-1/8"	23-1/8"	42,000	36" x 22-1/4" x 22-1/8"	Radiant	OMNI
624BVC(L)(R)	38"	38-1/2"	42-3/8"	42-1/2"	24-1/8"	24-5/8"	42,000	36" x 22-1/4" x 22-1/8"	Radiant	OMNI
624BVBV	38"	37"	42-3/8"	42-1/2"	24-1/8"	24-5/8"	42,000	36" x 22-1/4" x 22-1/8"	Radiant	OMNI



SEE-THRU (624BVST)



PENINSULA (624BVPN)



LEFT CORNER (624BVCL)



RIGHT CORNER (624BVCR)



BAY FRONT (624BVBV)

Optional Accessories:

- Firebrick Back (DBVFBB) and Side (DBVFBS) Panels
- Outside Combustion Air Kit (6AK)
- Remote Controls and Wall Thermostats



On/Off Hand-Held Remote Control with Receiver.



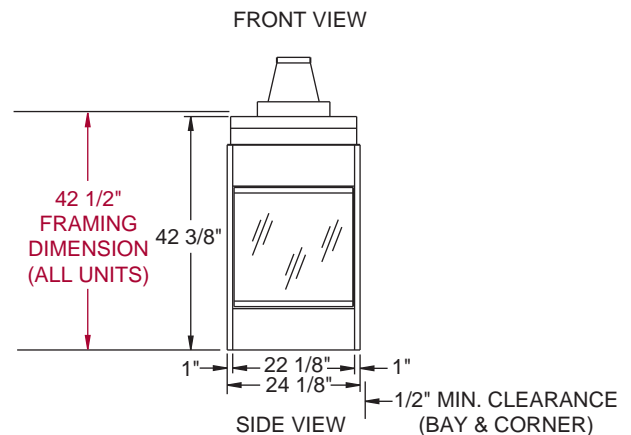
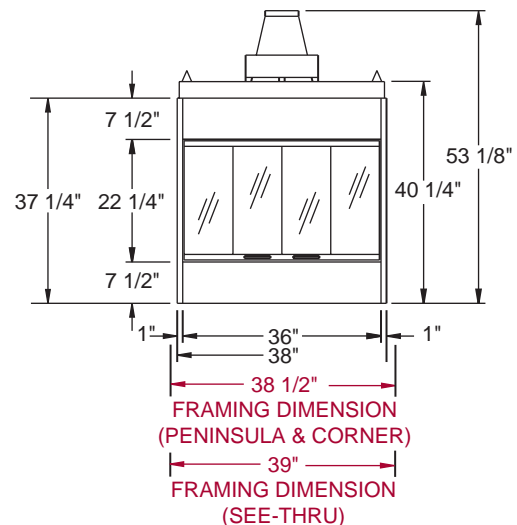
On/Off Hand-Held Remote Control with Receiver. LCD Display.



Touch Light™ Table Top/Wall Mount TLM On/Off Remote Control with Receiver.



Wall Thermostat



REGULATORY APPROVAL

The B Vent Designer Series has been tested in accordance with the ANSI Z21.5/1998/CSA M2.22-M98 Standard for Vented Gas Fireplaces and have been LISTED by OMNI-Test Laboratories, Inc.

Warning:

- Correct installation of the gas logs and periodic cleaning are necessary to avoid potential service problems.
- Keep small children and animals away from the hot surfaces at all times.
- This appliance must not be connected to a chimney flue servicing a separate solid-fuel burning appliance.
- Common venting of this appliance with other gas appliances is not allowed.
- There may be a start-up odor associated with the heating of the logs. The odor should diminish in 2-3 hours of operation with the burner at its highest setting with the fan in the off position.
- It is recommended to open a window during burn off period.

MONESSEN HEARTH SYSTEMS

149 Cleveland Drive • Paris, Kentucky 40361

www.monessenhearth.com

To avoid personal injury or property damage, the product described by this brochure must be installed, operated and maintained in strict compliance with the instructions packaged with the product and all applicable building or fire codes. Contact local building or fire officials about restrictions and installation inspection requirements. All photographs and drawings on this brochure are for illustrative purposes only and are not intended for, nor should they be used as a substitute for the instructions packaged with the unit. Appearance and specifications of the product are subject to change without notice.

© 2005 Monessen Hearth Systems, Inc.



Sold by: